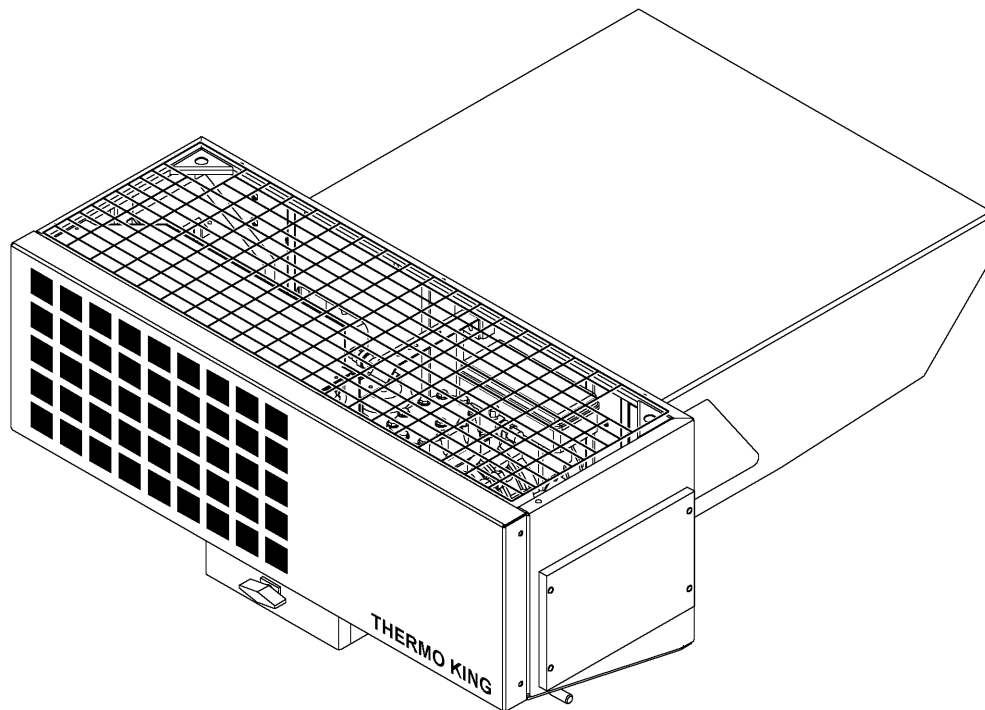


# VM-405 PBBD2

## Prepared for the Air Force

TK 52316-0.2



Printed (August 28, 2006)

Copyright © 2004 - Thermo King Corp. - Minneapolis, MN U.S.A.  
Electronically printed in U.S.A.

# General Information

## Tables of Contents

This Parts Manual contains a numerical table of contents listing each assembly name, its associated Grid number and page number. The numerical table of contents is arranged numerically by Grid number. There are references in a parts list referring to other Grid numbers, the numerical table of contents is arranged to facilitate finding the referenced illustrations. At the rear of this parts manual are two indexes, a numerical and alphabetical. The indexes contain all of the part numbers and descriptions which appear in this manual.

## Assemblies and Subassemblies

When parts are indented in the description list, they are preceded with a bullet ( • ). This indicates that the part(s) is available separately or included in an assembly.

### GRID NO. 67D6 SWITCH PANEL ASSEMBLY

REF	PART#	DESCRIPTION	QTY
	45-1239	PANEL - assy, switch	1
1	99-1960	• PANEL	1
	99-6280	• • NAMEPLATE - panel	1
2	33-743	• GASKET	1

For example: the switch panel nameplate (99-6280) is available separately, available as part of the switch panel (99-1960) and with the panel assembly (45-1239).

## ABBREVIATIONS

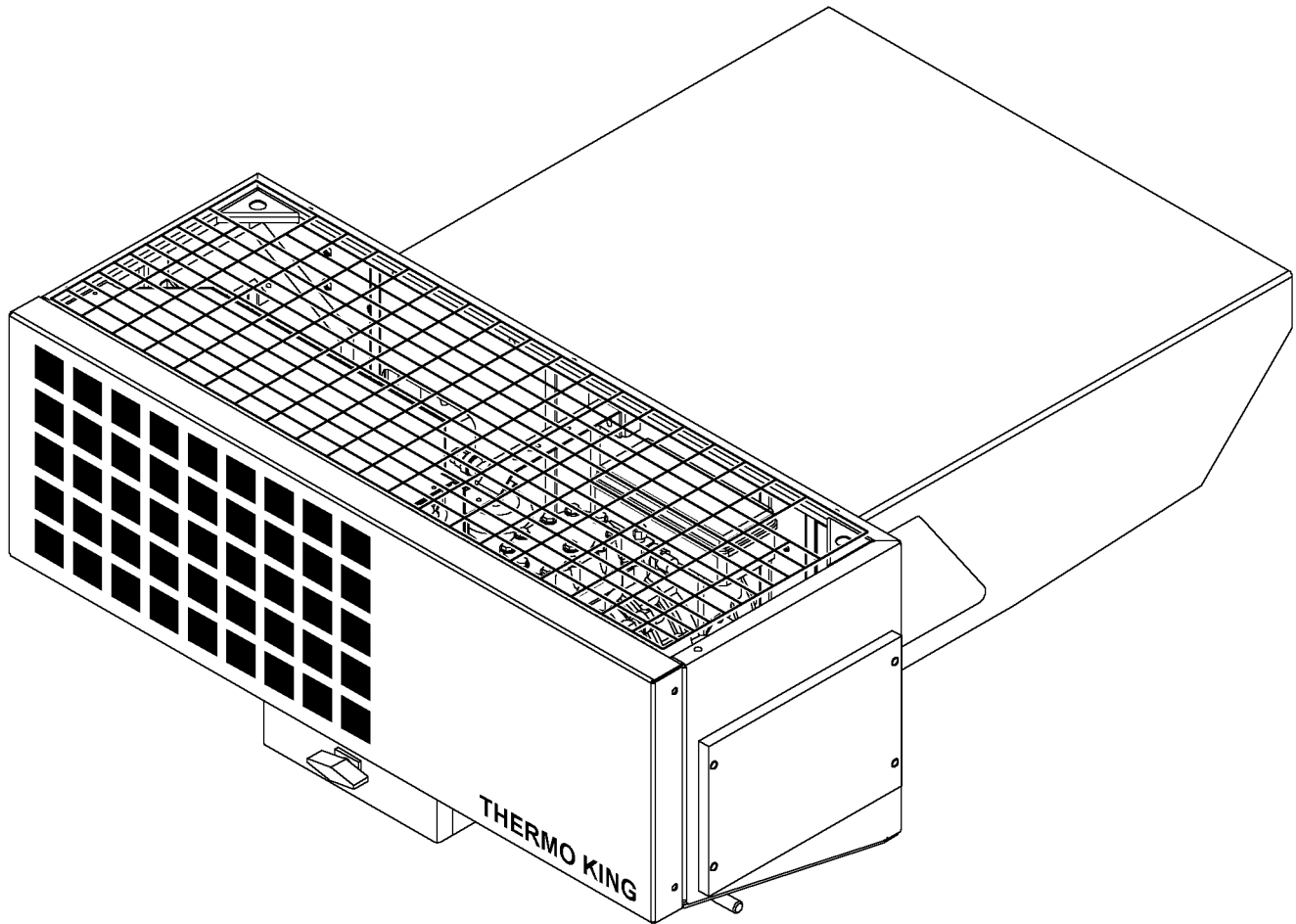
The following abbreviations appear in parts manuals

<b>A</b> AC . . . . . alternating current	<b>E</b> (continued)	<b>O</b> os . . . . . oversized
A/R . . . . . as required	evap. . . . . evaporator	od . . . . . outside diameter
accum . . . . . accumulator	exch . . . . . exchanger	<b>P</b> pcb . . . . . printed circuit board
adj . . . . . adjusting	exp . . . . . expansion	pkg . . . . . package
al . . . . . aluminum	ext . . . . . external	ph . . . . . phase
alt. . . . . alternator	<b>F</b> F . . . . . Fahrenheit	pos . . . . . positive
A or amp . . . . . ampere	fill . . . . . fillister	psi . . . . . pounds per square inch
assy . . . . . assembly	fi . . . . . fuel injection	
<b>B</b> bd . . . . . board	fl . . . . . flare	<b>R</b> rad . . . . . radiator
brg . . . . . bearing	fpt . . . . . female pipe thread	rcvr . . . . . receiver
brkr . . . . . breaker	ft . . . . . feet	ref . . . . . reference
brkt . . . . . bracket	ftg . . . . . fitting	reg . . . . . regulator
<b>C</b> C . . . . . Celsius	<b>H</b> hex . . . . . hexagon	req . . . . . required
cw . . . . . clockwise	hh . . . . . hexagon head	rpm . . . . . revolutions per minute
ccw . . . . . counter-clockwise	hd . . . . . head	<b>S</b> sec . . . . . second
cam . . . . . camshaft	hp . . . . . horsepower	sld . . . . . solder
compr . . . . . compressor	hsg . . . . . housing	soc hd. . . . . socket head
cond. . . . . condenser	<b>I</b> id . . . . . inside diameter	sol . . . . . solenoid
conn. . . . . connecting, connector	in . . . . . inch (2.54 centimeters)	spl . . . . . special
cyl . . . . . cylinder	incl . . . . . includes	sq . . . . . square
<b>D</b> def . . . . . defrost	inj . . . . . injection	ss . . . . . stainless steel
deg . . . . . degree	int . . . . . internal	std. . . . . standard
dehyd. . . . . dehydrator	int th . . . . . internal tooth	stl . . . . . steel
dia . . . . . diameter	<b>L</b> liq . . . . . liquid	suct. . . . . suction
DC . . . . . direct current	lg . . . . . long	sw . . . . . switch
disch . . . . . discharge	<b>M</b> mm . . . . . millimeter	<b>T</b> term . . . . . terminal
diff . . . . . differential	mpt . . . . . male pipe thread	temp . . . . . temperature
<b>E</b> EMI . . . . . Extended	mod . . . . . modulating	thk. . . . . thick
. . . . . Maintenance Interval	<b>N</b> neg . . . . . negative	<b>U</b> us . . . . . undersize
EEC . . . . . European Economic Community	No. . . . . number	<b>V</b> vib . . . . . vibrasorber
eng . . . . . engine	NS . . . . . not supplied	<b>W</b> W . . . . . watt
	NSS . . . . . not sold separately	w/ . . . . . with
		w/o . . . . . without

# VM-405 PBBD2 Prepared for the Air Force

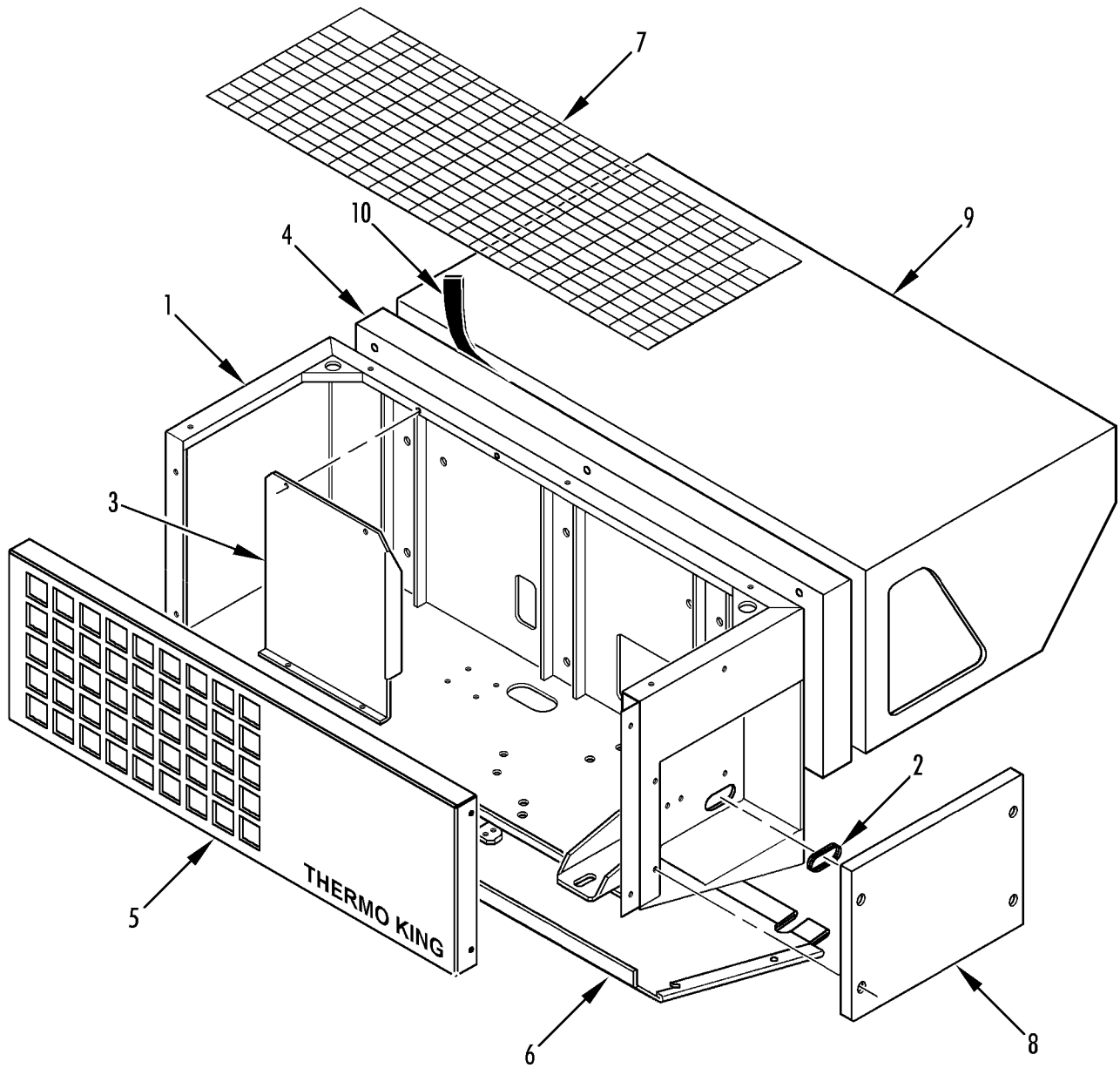
## Contents

<b>Name</b>	<b>Grid</b>	<b>Page</b>
VM-405 PBBD2 REFERENCE SHEET .....	.9U37.....	.3
WEATHER PACK CONNECTORS .....	.115D14.....	.17
SERVICE VALVES .....	.187B6.....	.11
FRAME GROUP .....	.192A8.....	.5
ELECTRICAL COMPONENTS .....	.192A9.....	.15
TRANSFORMER GROUP .....	.192D1.....	.21
REFRIGERATION GROUP .....	.192D2.....	.7
NAMEPLATES .....	.192D3.....	.25
CONTROL BOX .....	.192D4.....	.19
EVAPORATOR COMPONENTS .....	.192D5.....	.13
REMOTE CONTROL BOX .....	.192D6.....	.23



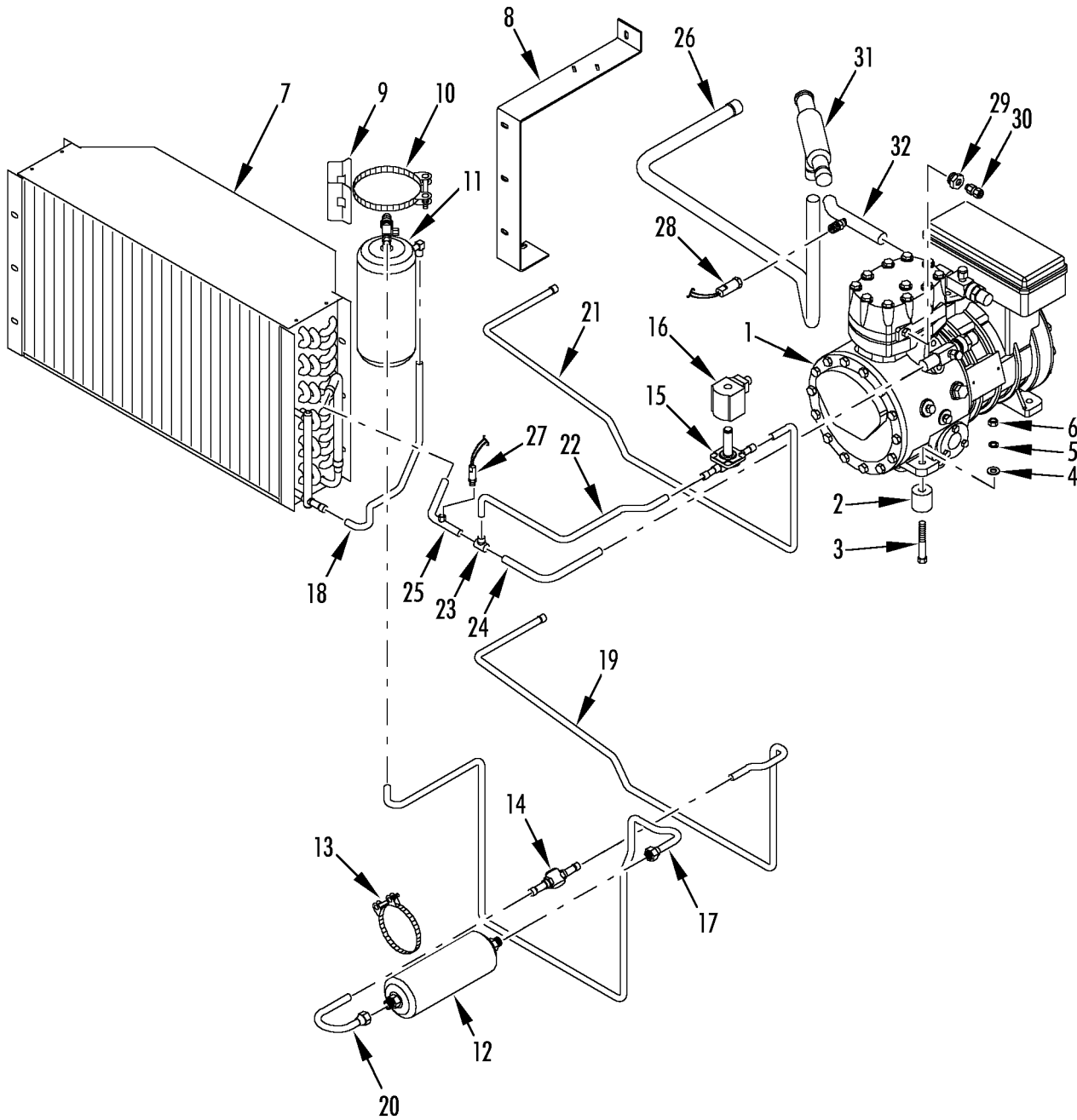


<b>B/M</b>	<b>DESCRIPTION</b>	<b>Date</b>
920330	System - VM-405 PBBD2	3/04
720745	VM-405 PBBD2	3/04
720746	Eaporator EM-405 PBBD2	3/04
880253	Installation Kit	3/04
880252	Bulkhead	3/04

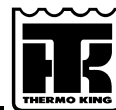




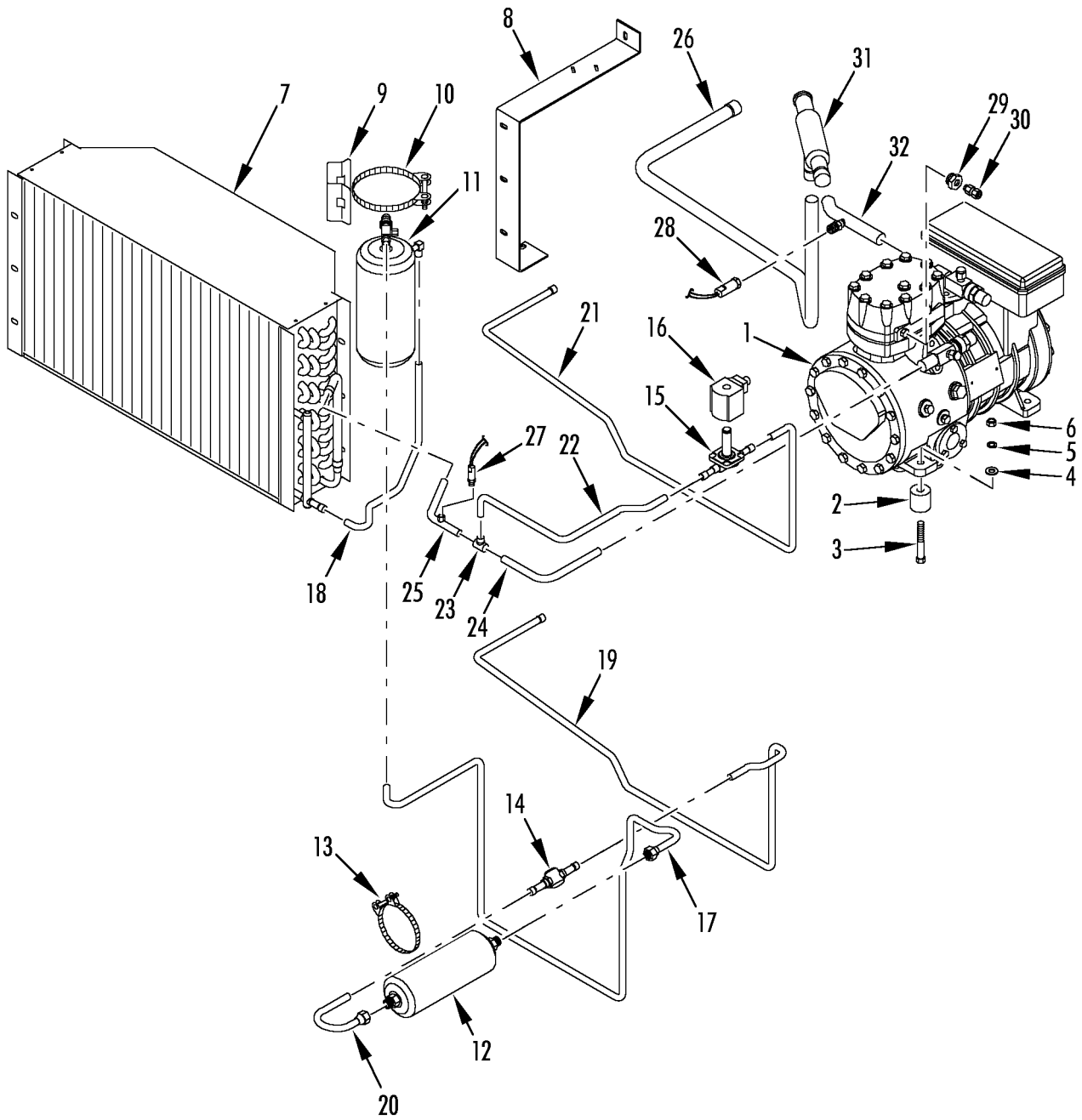
REF	PART#	DESCRIPTION	QTY
1	98-6805	FRAME - condenser	1
2	33-3539	GROMMET (26 x 40 mm)	5
	33-3944	GROMMET (25 mm)	1
3	92-3584	PANEL - blockoff	1
	55-8851	SCREW - panel	4
	55-7089	FLATWASHER	4
4	91-9990	BULKHEAD	1
	91-9989	STRIP - foam tape	2
	55-8808	SCREW - bulkhead	6
	55-7085	FLATWASHER	6
	55-7339	NUT	6
5	98-6808	GRILLE - condenser (front)	1
	55-7340	SCREW - grille	4
	55-7089	FLATWASHER	4
	55-7404	LOCKWASHER	4
6	98-6807	PANEL - bottom	1
	55-7172	SCREW - panel	8
	55-6996	LOCKWASHER	8
	55-8237	WASHER - fender	8
7	98-6806	GRILLE - condenser (top)	1
	55-9825	CLAMP - grille	5
	55-7340	SCREW - grille	5
	55-7089	FLATWASHER	5
	55-7404	LOCKWASHER	5
8	92-925	COVER - control box	1
	55-9621	SCREW - cover	4
	55-6996	LOCKWASHER	4
	55-8237	WASHER - fender	4
	91-9992	STRIP - foam tape	A/R
9	98-6812	HOUSING - evaporator (see 192D5)	1
10	33-2660	TAPE - seal	A/R





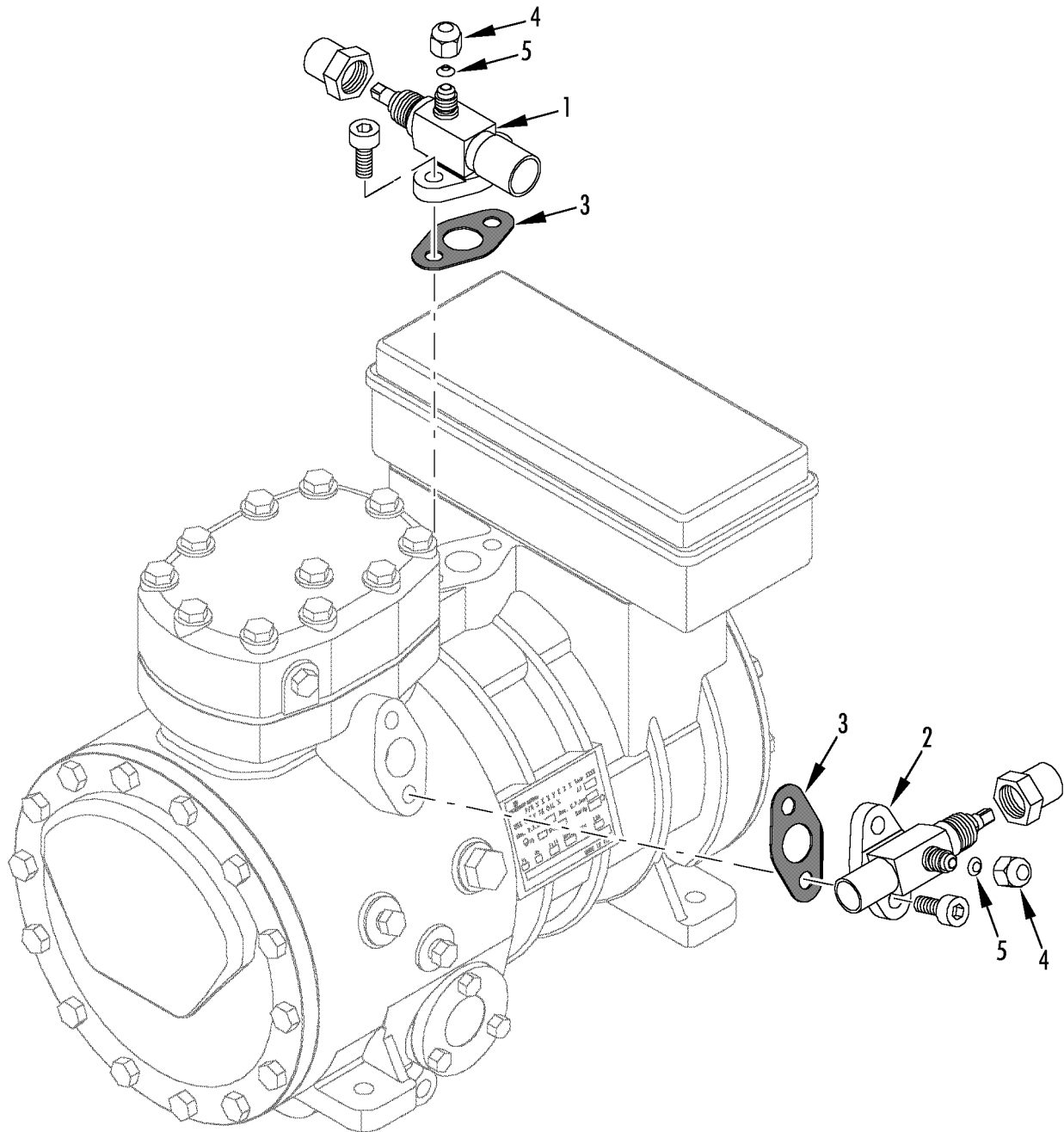


REF	PART#	DESCRIPTION	QTY
1	102-722	COMPRESSOR (D2 230/3/60, see 187B6 for service valves)	1
	41-6450	• BOX - junction	1
	203-513	OIL - compressor	A/R
2	51-173	SPACER - compressor support	4
3	55-9158	SCREW - compressor	4
4	55-7085	FLATWASHER	4
5	55-9485	LOCKWASHER	4
6	55-7339	NUT	4
7	67-1619	COIL - condenser	1
	55-8375	• NUT - captive	6
	55-8237	WASHER - special	3
	55-7075	FLATWASHER	2
	55-6996	LOCKWASHER	3
	55-7354	NUT	2
8	92-3583	BRACKET - condenser coil	1
	55-7035	SCREW - bracket	3
	55-7075	FLATWASHER	3
	55-6996	LOCKWASHER	3
	55-7354	NUT	3
9	92-636	BRACKET - receiver tank	1
	55-7340	SCREW - support	2
	55-9826	FLATWASHER	2
	55-7404	LOCKWASHER	2
10	55-2688	CLAMP - receiver tank	1
11	67-1798	TANK - receiver	1
12	66-8471	DEHYDRATOR	1
	33-1015	O-RING	2
13	55-6225	CLAMP - dehydrator	1
14	66-7682	INDICATOR - liquid	1
15	66-7878	BODY - solenoid	1
16	41-5051	COIL - valve (24V)	1
	55-8531	SCREW - valve	1
	55-7089	FLATWASHER	1
	55-7404	LOCKWASHER	1
17	61-2596	TUBE - receiver tank to dehydrator	1
	55-9286	SHOULDER- o-ring (#6)	1
	55-9009	NUT - shoulder (#6)	1
18	61-2589	TUBE - condenser coil to receiver	1
19	61-2587	TUBE - sight glass to evaporator	1
20	61-2588	TUBE - dehydrator to sight glass	1
	55-9286	SHOULDER- o-ring (#6)	1
	55-9009	NUT - shoulder (#6)	1





REF	PART#	DESCRIPTION	QTY
	92-1502	CLAMP - tube	1
21	61-2590	TUBE - solenoid to evaporator	1
22	61-2591	TUBE - tee to solenoid	1
23	55-2181	TEE	1
24	61-2592	TUBE - compressor to tee	1
25	61-2593	TUBE - tee to condenser coil	1
	61-439	ADAPTER - hpco (female)	1
26	61-2594	TUBE - evaporator to valve	1
27	44-8064	SWITCH - hpco	1
28	44-8030	SWITCH - lpco	1
29	61-2060	ADAPTER - valve	1
30	61-1193	VALVE - relief	1
31	22-1073	VALVE - suction pressure regulator	1
32	61-2595	TUBE - valve to compressor	1
33	61-2504	VALVE - service port	1
	61-404	INSERT - valve	1



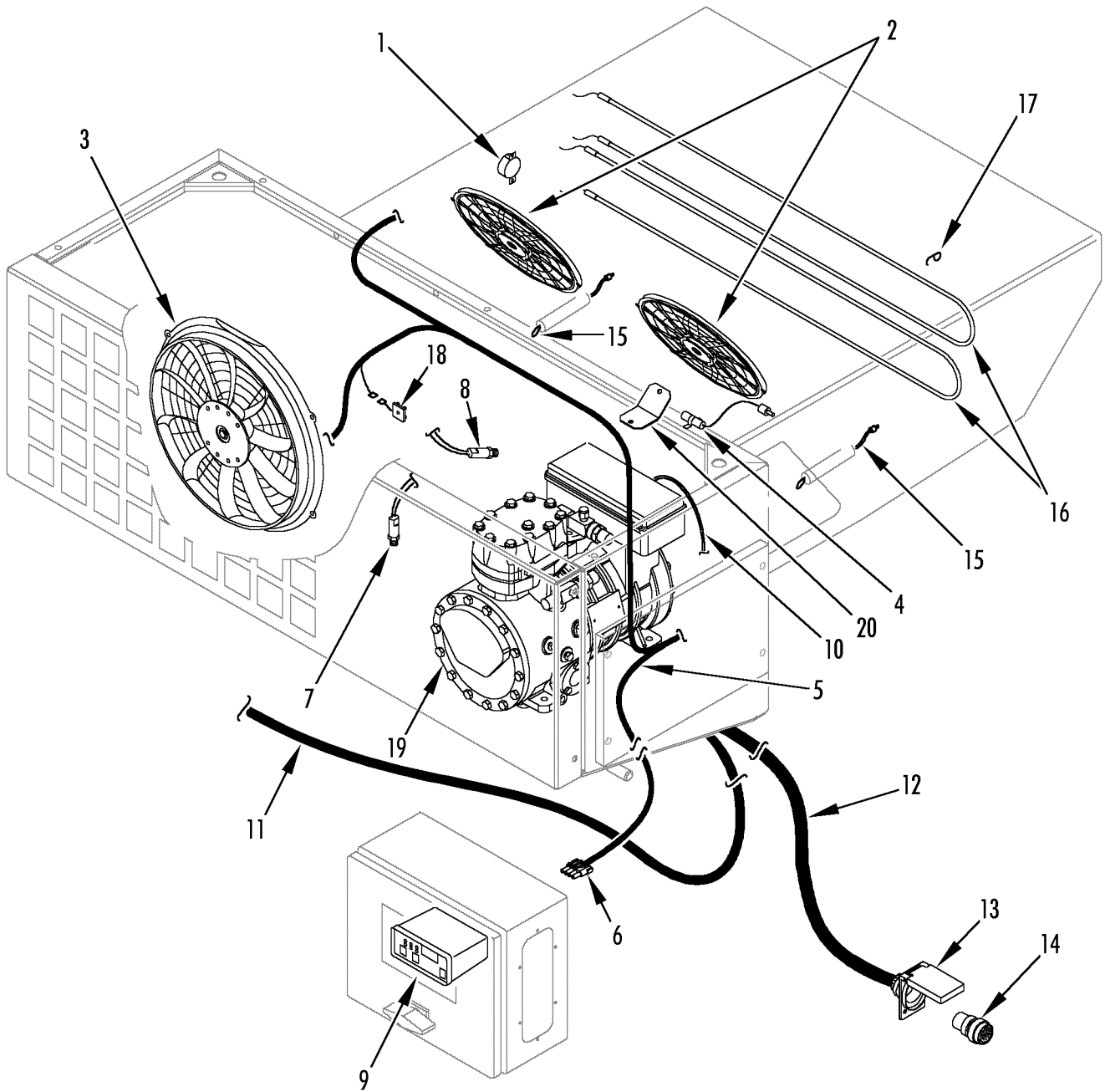


REF	PART#	DESCRIPTION	QTY
1	61-2313	VALVE - suction (41 mm mounting holes, 3/4 tube)	1
	61-1425	VALVE - suction (41 mm mounting holes, 3/8 tube)	1
	61-342	VALVE - suction (35 mm mounting holes, 5/8 tube)	1
2	61-2312	VALVE - discharge (41 mm mounting holes, 5/8 tube)	1
	61-1424	VALVE - discharge (41 mm mounting holes, 1/2 tube)	1
	61-343	VALVE - discharge (35 mm mounting holes, 1/2 tube)	1
3	33-3625	GASKET - valve (41 mm)	1
	33-3626	GASKET - valve (35 mm)	1
4	55-1983	CAP - flare	1
5	33-768	GASKET - cap	1

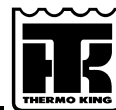




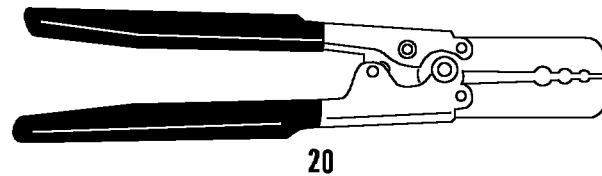
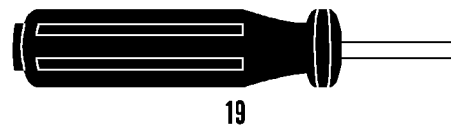
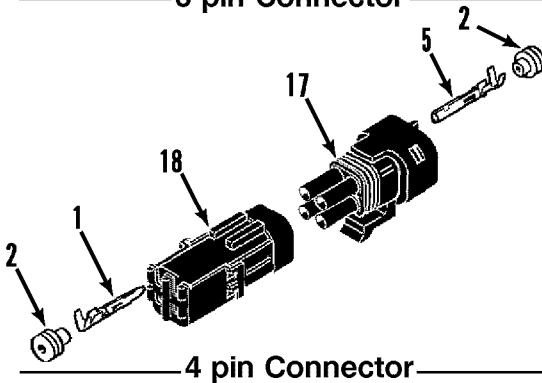
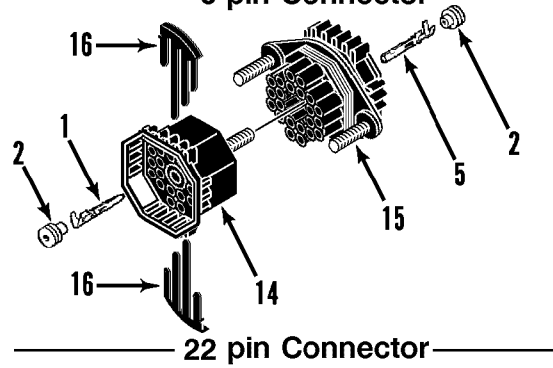
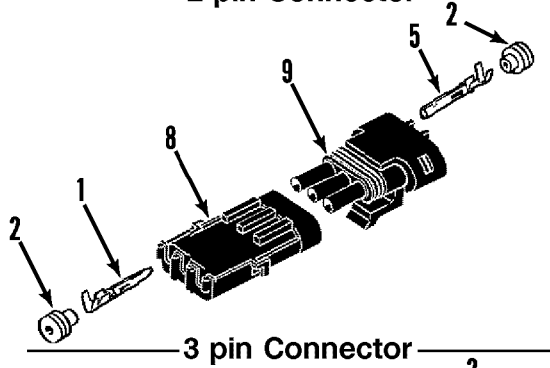
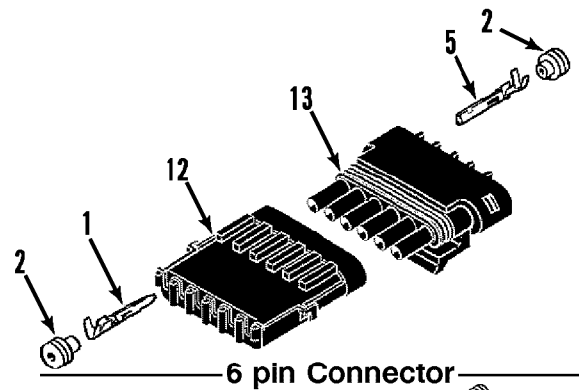
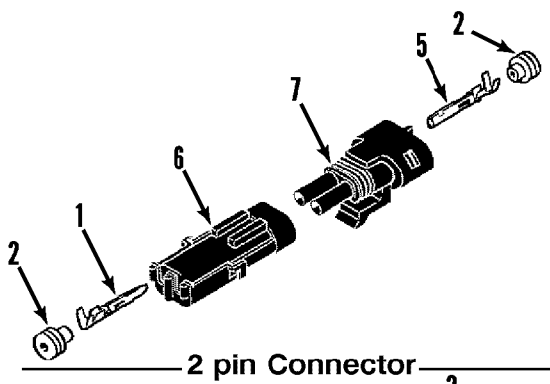
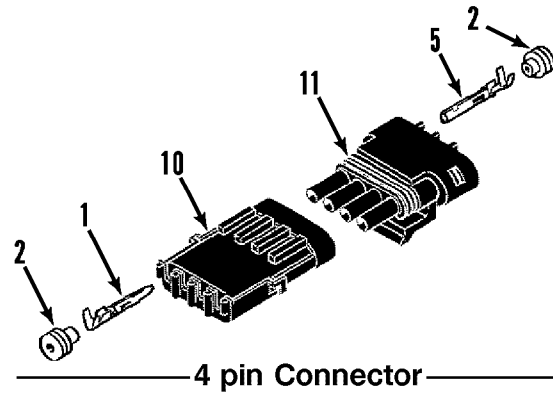
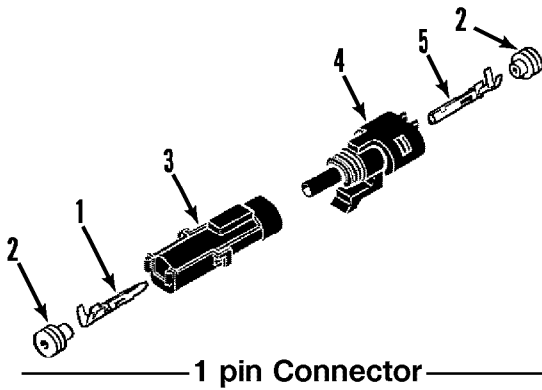
REF	PART#	DESCRIPTION	QTY
1	98-6812	HOUSING - evaporator	1
2	66-9314	VALVE - expansion	1
3	61-1126	NOZZLE - expansion valve	1
4	78-1378	FAN & MOTOR - evaporator (24V)	2
	55-7036	SCREW - fan	8
	55-7404	LOCKWASHER	8
	55-7089	FLATWASHER	8
5	67-1620	COIL - evaporator	1
6	98-5650	PLENUM - evaporator	1
	55-7172	SCREW - evaporator compartment (M6)	35
	55-9353	WASHER (M6)	35
	55-7340	SCREW - evaporator compartment (M5)	7
	55-9354	WASHER (M5)	9
7	98-6813	PAN - drain	1
8	55-9258	TEE - hose	3
9	11-9223	HOSE - drain	A/R
	92-1903	CLAMP - hose	5
	55-2330	BANDWRAP	7
10	41-3156	HARNESS - drain tube heater	2
11	33-2801	GROMMET - drain hose	2
12	91-9988	BRACE - reinforcement	1
13	66-9964	TUBE - liquid	1
	51-344	• NUT - expansion valve	1
14	91-9989	STRIP - foam tape	5
15	61-2597	TUBE - equalizer	1
16	66-9963	TUBE - drain pan	1
17	92-3606	BRACKET - evaporator	2
18	92-3607	GRILLE - evaporator	1
19	55-9825	CLAMP - grille	6
	55-7340	SCREW - clamp	6
	55-7404	LOCKWASHER	6
	55-7089	FLATWASHER	6
20	66-1273	VALVE - hose check	1





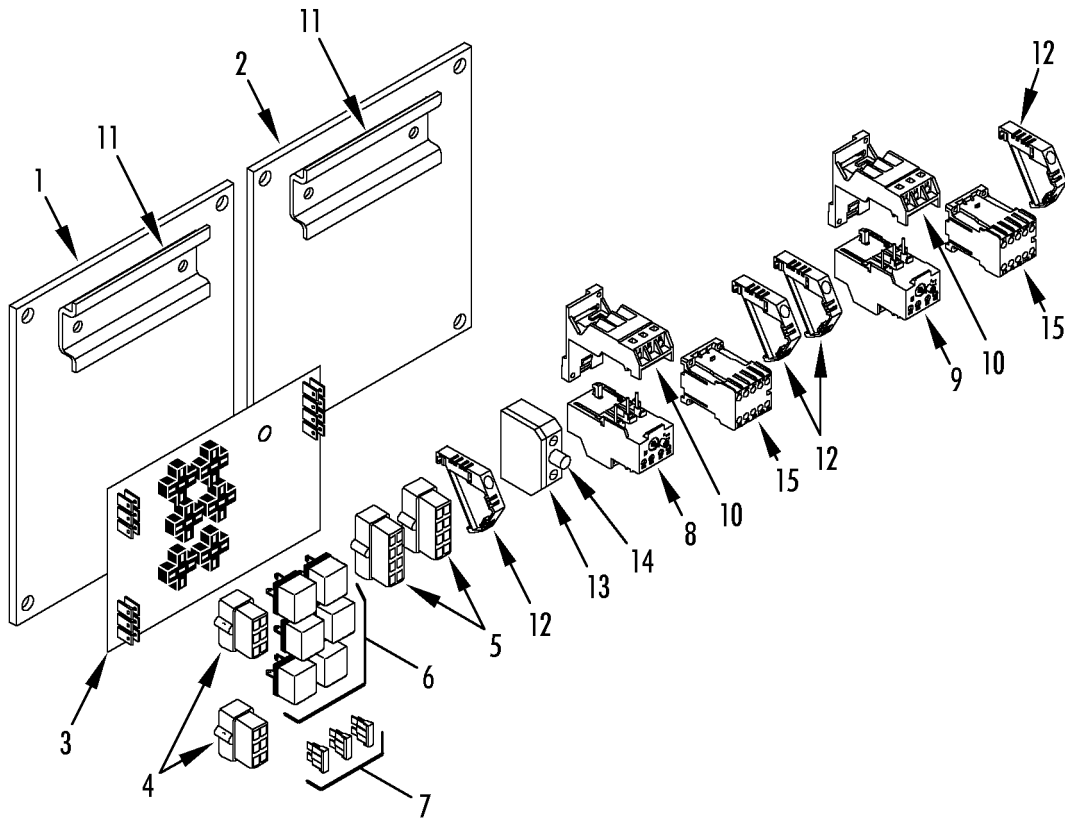


REF	PART#	DESCRIPTION	QTY
1	41-3136	SWITCH - defrost termination	1
	55-9900	SCREW - switch	2
2	78-1378	FAN & MOTOR - evaporator (see 155E9)	2
3	78-1370	FAN & MOTOR - condenser (24V)	1
	55-7036	SCREW - fan	4
	55-9826	FLATWASHER	4
	55-7404	LOCKWASHER	4
	55-8375	NUT - captive	4
4	41-3143	SENSOR - temperature	1
	55-9825	CLAMP - sensor	1
	55-9452	SCREW - clamp	1
	55-7697	FLATWASHER	2
	55-7861	LOCKWASHER	1
	55-7367	NUT	1
5	41-5890	HARNESS - main	1
6	41-3423	• CONNECTOR (10 pin, see 192D6)	1
	55-2332	BANDWRAP (0.75 dia, black)	4
7	44-8064	SWITCH - hpc0	1
8	44-8030	SWITCH - lpc0	1
9	45-1780	CONTROLLER (M13, see 155G9)	1
10	41-5891	CABLE - power (control box to compressor)	1
11	41-6311	CABLE - mains (receptacle to unit, 3 ph)	1
12	41-3442	CABLE - mains (unit to receptacle, 1 ph)	1
13	44-4645	RECEPTACLE (15A, 125V)	1
14	44-4646	RECEPTACLE (15A, 125V)	1
15	41-3156	HARNESS - drain tube heater (24V, see 155E9)	2
16	45-1395	HEATER (750W, 230VAC)	2
17	91-240	RETAINER - heater	8
18	41-3999	HARNESS - rectifier (condenser fan)	1
	41-363	• RECTIFIER	1
	55-9452	SCREW - rectifier	1
	55-7861	LOCKWASHER	1
	55-7697	FLATWASHER	2
	55-7698	NUT	1
19	102-722	COMPRESSOR (see 192D1)	1
	41-6450	• BOX - junction	1
20	92-3608	BRACKET - sensor	1



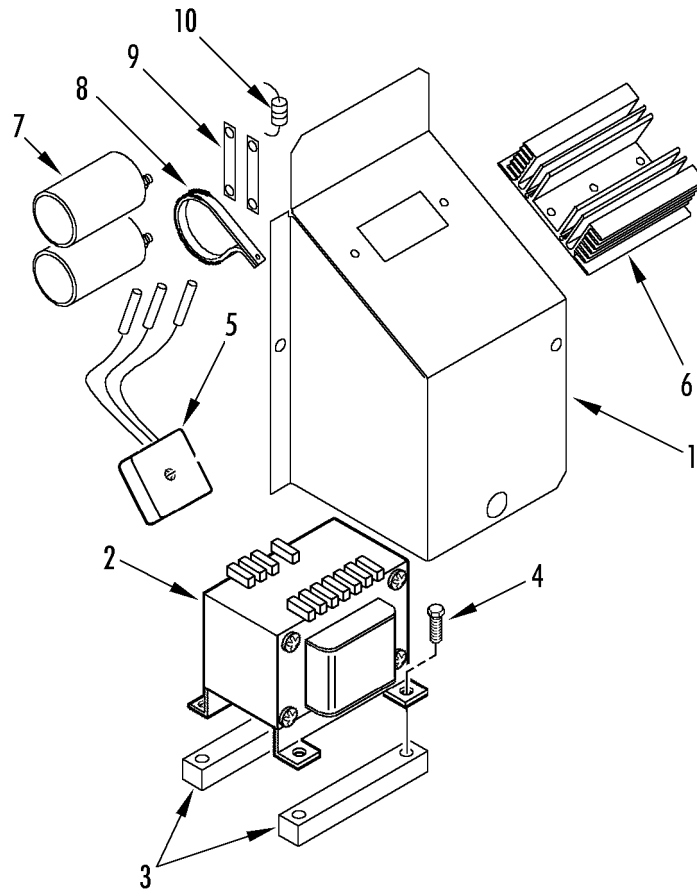


REF	PART#	DESCRIPTION	QTY
1	44-5836	TERMINAL - male (14-16 gauge)	A/R
	44-5883	TERMINAL - male (18-20 gauge)	A/R
	44-8851	TERMINAL - male (22 gauge)	A/R
2	44-8681	SEAL (red, 0.066 - 0.079 id)	A/R
	44-5885	SEAL (green, 0.087 - 0.110 id, 18-20 gauge)	A/R
	44-5837	SEAL (gray, 0.110 - 0.137 id, 14-16 gauge)	A/R
	44-6324	SEAL (blue, 0.137 - 0.165 id, 12-14 gauge)	A/R
	44-7812	PLUG - cavity (green, no hole)	A/R
3	44-7330	SHROUD (1 pin)	1
4	44-7327	CONNECTOR - tower (1 pin)	1
5	44-5839	TERMINAL (14-16 gauge, female)	A/R
	44-5884	TERMINAL (18-20 gauge, female)	A/R
	44-8853	TERMINAL (22 gauge, female)	A/R
6	44-5835	SHROUD (2 pin)	1
7	44-5838	CONNECTOR - tower (2 pin)	1
8	44-9569	SHROUD (3 pin)	1
9	44-6959	CONNECTOR - tower (3 pin)	1
10	44-7880	SHROUD (4 pin)	1
11	44-7881	CONNECTOR - tower (4 pin)	1
12	44-8294	SHROUD (6 pin)	1
13	44-7872	CONNECTOR - tower (6 pin)	1
14	44-7884	SHROUD (22 pin)	1
15	44-7829	CONNECTOR - tower (22 pin)	1
16	44-7811	LOCK - secondary	2
17	41-1527	CONNECTOR - tower (4 pin)	1
18	41-1310	SHROUD (4 pin)	1
19	204-623	TOOL - pin removal	1
20	204-624	TOOL - terminal crimper	1



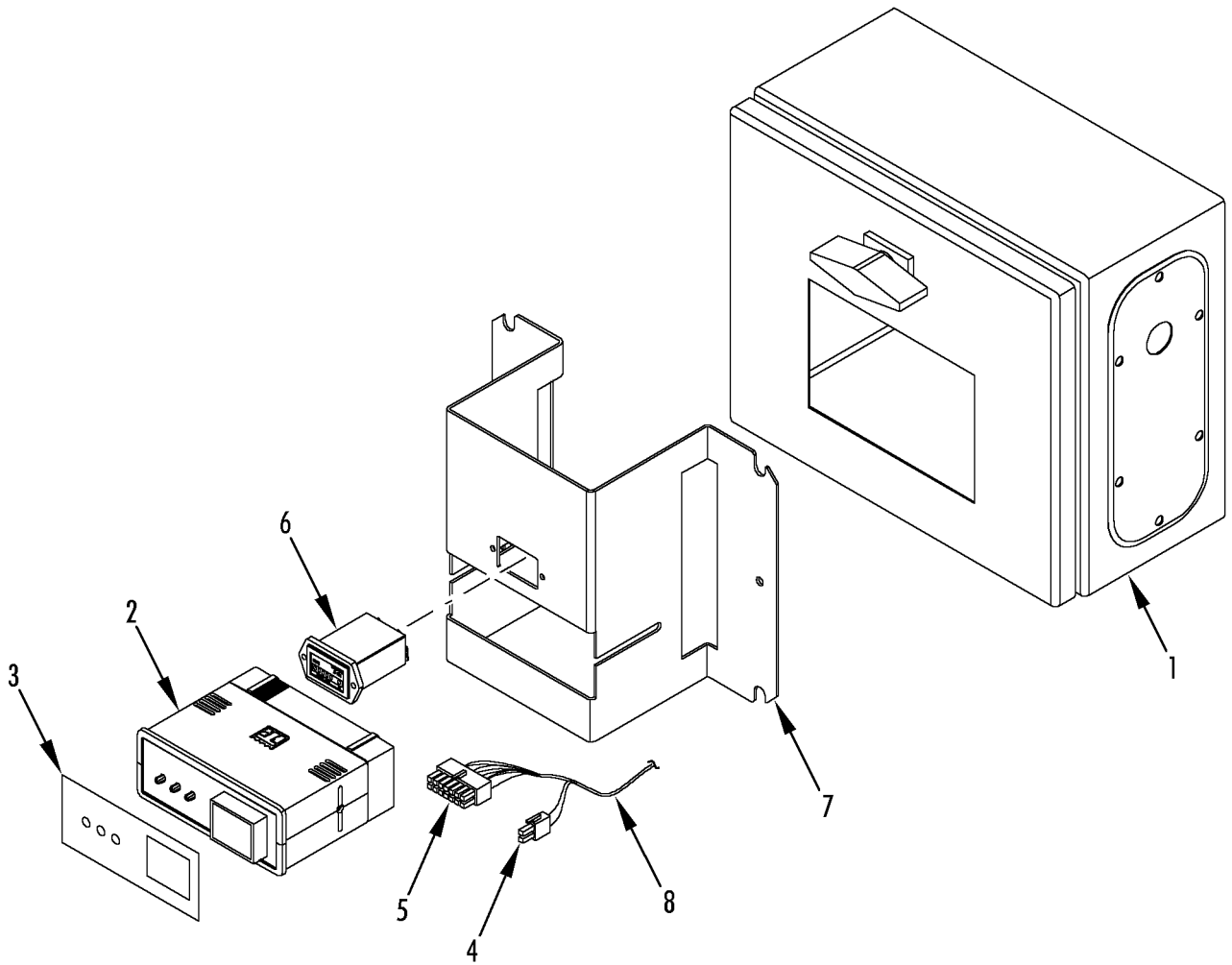


REF	PART#	DESCRIPTION	QTY
1	92-923	BRACKET - control box	1
2	92-3601	BRACKET - control box	1
	55-9620	SCREW - bracket	6
	55-7404	LOCKWASHER	10
3	41-4259	BOARD - printed circuit (N9.2)	1
	55-7035	SCREW - board	6
	55-7075	FLATWASHER	6
	55-6996	LOCKWASHER	6
	55-7354	NUT	6
4	41-876	CONNECTOR (6 pin)	2
5	41-946	CONNECTOR (8 pin)	2
6	41-3707	RELAY (24V)	6
7	44-9758	FUSE (10 amp)	2
	44-9344	FUSE (15 amp)	1
	44-9524	FUSE (3 amp)	1
8	41-3097	RELAY - overload (4 to 6.3 amps)	1
9	41-3091	RELAY - overload (10 to 16 amps)	1
10	41-3099	SOCKET - circuit breaker	1
11	92-3602	CHANNEL - din (120 mm)	1
	92-924	CHANNEL - din (150 mm)	1
	55-9495	RIVET - channel	4
12	41-898	CONNECTOR - end	4
13	41-942	CONNECTOR - fuse	1
	41-944	COVER - connector	1
14	41-5863	FUSE (5 amp, 250V)	1
	41-4180	FUSE (1 amp, 250V)	2
15	41-1005	CONTACTOR (24V)	2





REF	PART#	DESCRIPTION	QTY
1	92-922	COVER - transformer	1
	91-9989	STRIP - rubber	A/R
	55-7042	NUT - cover	2
2	41-3435	TRANSFORMER	1
3	92-3576	BASE - transformer	2
4	55-8464	SCREW - transformer	4
	55-8316	SCREW - transformer	4
	55-7075	FLATWASHER	8
	55-8237	WASHER - fender	8
	55-7354	NUT	4
5	41-3438	HARNESS - rectifier	1
	51-250	SCREW - rectifier	1
6	41-977	RADIATOR	1
	55-9452	SCREW - radiator	2
	55-7697	FLATWASHER	4
	55-7861	LOCKWASHER	2
	55-7698	NUT	2
7	41-2992	CAPACITOR (24V)	2
8	55-9494	CLAMP - capacitor	2
	55-7354	NUT - clamp	2
	55-7075	FLATWASHER	4
	55-6996	LOCKWASHER	2
	51-757	BANDWRAP (4 in dia)	2
9	41-3134	JUMPER - capacitor	2
10	44-9925	RESISTOR	1







REF	PART#	DESCRIPTION	QTY
1	92-3603	BOX - hermetic	1
	55-7354	NUT	4
	55-6996	LOCKWASHER	4
	55-7075	FLATWASHER	4
2	45-1780	CONTROLLER (M13-L07, 12/24V)	1
3	91-9613	• FACE - controller	1
	41-1932	• FUSE (1 amp, 32VDC)	1
	41-1807	TERMINAL - socket	12
4	41-1507	CONNECTOR - inline (2 terminal, male)	1
5	41-3423	CONNECTOR - inline (10 terminal, male)	1
6	44-5703	HOURMETER	1
7	92-3604	SUPPORT - controller	1
8	41-5890	HARNESS - main	1

# THERMO KING

1

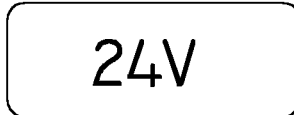


Ingersoll-Rand

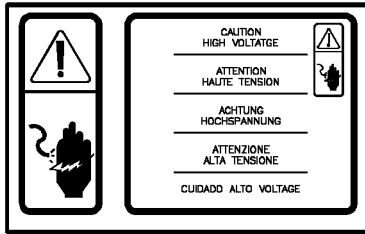
2



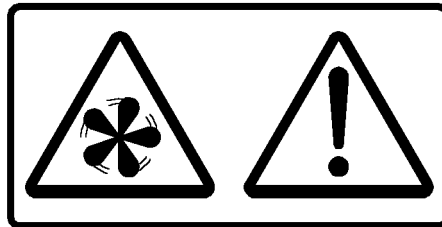
3



4



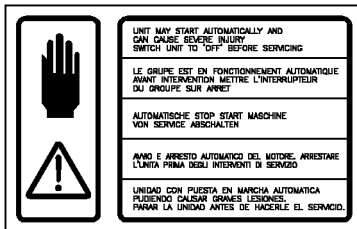
5



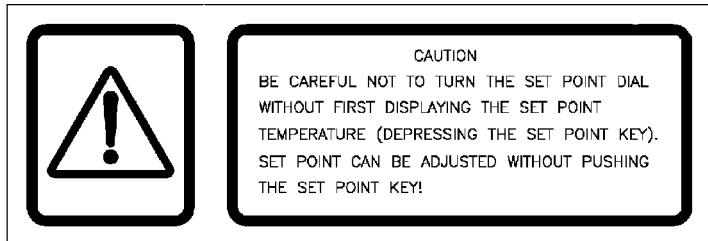
6



7



8



9



REF	PART#	DESCRIPTION	QTY
1	92-1898	NAMEPLATE - Thermo King	1
2	92-4305	NAMEPLATE - IR logo (red/black)	1
3	91-7499	NAMEPLATE - R404A	1
4	92-2810	NAMEPLATE - Voltage, 24V	1
5	92-590	NAMEPLATE - High Voltage	1
6	92-589	NAMEPLATE - Caution, Fan	3
7	91-9995	NAMEPLATE - Tip Danger	1
8	92-1664	NAMEPLATE - Service Warning	1
9	92-3605	NAMEPLATE - Caution, Thermostat	1

## INDEX NUMERICAL BY PART NUMBER

102-722	<b>8, 16</b>	44-5885	<b>18</b>	55-9158	<b>8</b>
11-9223	<b>14</b>	44-6324	<b>18</b>	55-9258	<b>14</b>
203-513	<b>8</b>	44-6959	<b>18</b>	55-9286	<b>8</b>
204-623	<b>18</b>	44-7327	<b>18</b>	55-9353	<b>14</b>
204-624	<b>18</b>	44-7330	<b>18</b>	55-9354	<b>14</b>
22-1073	<b>10</b>	44-7811	<b>18</b>	55-9452	<b>16, 22</b>
33-1015	<b>8</b>	44-7812	<b>18</b>	55-9485	<b>8</b>
33-2660	<b>6</b>	44-7829	<b>18</b>	55-9494	<b>22</b>
33-2801	<b>14</b>	44-7872	<b>18</b>	55-9495	<b>20</b>
33-3539	<b>6</b>	44-7880	<b>18</b>	55-9620	<b>20</b>
33-3625	<b>12</b>	44-7881	<b>18</b>	55-9621	<b>6</b>
33-3626	<b>12</b>	44-7884	<b>18</b>	55-9825	<b>6, 14, 16</b>
33-3944	<b>6</b>	44-8030	<b>10, 16</b>	55-9826	<b>8, 16</b>
33-768	<b>12</b>	44-8064	<b>10, 16</b>	55-9900	<b>16</b>
41-1005	<b>20</b>	44-8294	<b>18</b>	61-1126	<b>14</b>
41-1310	<b>18</b>	44-8681	<b>18</b>	61-1193	<b>10</b>
41-1507	<b>24</b>	44-8851	<b>18</b>	61-1424	<b>12</b>
41-1527	<b>18</b>	44-8853	<b>18</b>	61-1425	<b>12</b>
41-1807	<b>24</b>	44-9344	<b>20</b>	61-2060	<b>10</b>
41-1932	<b>24</b>	44-9524	<b>20</b>	61-2312	<b>12</b>
41-2992	<b>22</b>	44-9569	<b>18</b>	61-2313	<b>12</b>
41-3091	<b>20</b>	44-9758	<b>20</b>	61-2504	<b>10</b>
41-3097	<b>20</b>	44-9925	<b>22</b>	61-2587	<b>8</b>
41-3099	<b>20</b>	45-1395	<b>16</b>	61-2588	<b>8</b>
41-3134	<b>22</b>	45-1780	<b>16, 24</b>	61-2589	<b>8</b>
41-3136	<b>16</b>	51-173	<b>8</b>	61-2590	<b>10</b>
41-3143	<b>16</b>	51-250	<b>22</b>	61-2591	<b>10</b>
41-3156	<b>14, 16</b>	51-344	<b>14</b>	61-2592	<b>10</b>
41-3423	<b>16, 24</b>	51-757	<b>22</b>	61-2593	<b>10</b>
41-3435	<b>22</b>	55-1983	<b>12</b>	61-2594	<b>10</b>
41-3438	<b>22</b>	55-2181	<b>10</b>	61-2595	<b>10</b>
41-3442	<b>16</b>	55-2330	<b>14</b>	61-2596	<b>8</b>
41-363	<b>16</b>	55-2332	<b>16</b>	61-2597	<b>14</b>
41-3707	<b>20</b>	55-2688	<b>8</b>	61-342	<b>12</b>
41-3999	<b>16</b>	55-6225	<b>8</b>	61-343	<b>12</b>
41-4180	<b>20</b>	55-6996	<b>6, 8, 20, 22, 24</b>	61-404	<b>10</b>
41-4259	<b>20</b>	55-7035	<b>8, 20</b>	61-439	<b>10</b>
41-5051	<b>8</b>	55-7036	<b>14, 16</b>	66-1273	<b>14</b>
41-5863	<b>20</b>	55-7042	<b>22</b>	66-7682	<b>8</b>
41-5890	<b>16, 24</b>	55-7075	<b>8, 20, 22, 24</b>	66-7878	<b>8</b>
41-5891	<b>16</b>	55-7085	<b>6, 8</b>	66-8471	<b>8</b>
41-6311	<b>16</b>	55-7089	<b>6, 8, 14</b>	66-9314	<b>14</b>
41-6450	<b>8, 16</b>	55-7172	<b>6, 14</b>	66-9963	<b>14</b>
41-876	<b>20</b>	55-7339	<b>6, 8</b>	66-9964	<b>14</b>
41-898	<b>20</b>	55-7340	<b>6, 8, 14</b>	67-1619	<b>8</b>
41-942	<b>20</b>	55-7354	<b>8, 20, 22, 24</b>	67-1620	<b>14</b>
41-944	<b>20</b>	55-7367	<b>16</b>	67-1798	<b>8</b>
41-946	<b>20</b>	55-7404	<b>6, 8, 14, 16, 20</b>	78-1370	<b>16</b>
41-977	<b>22</b>	55-7697	<b>16, 22</b>	78-1378	<b>14, 16</b>
44-4645	<b>16</b>	55-7698	<b>16, 22</b>	91-240	<b>16</b>
44-4646	<b>16</b>	55-7861	<b>16, 22</b>	91-7499	<b>26</b>
44-5703	<b>24</b>	55-8237	<b>6, 8, 22</b>	91-9613	<b>24</b>
44-5835	<b>18</b>	55-8316	<b>22</b>	91-9988	<b>14</b>
44-5836	<b>18</b>	55-8375	<b>8, 16</b>	91-9989	<b>6, 14, 22</b>
44-5837	<b>18</b>	55-8464	<b>22</b>	91-9990	<b>6</b>
44-5838	<b>18</b>	55-8531	<b>8</b>	91-9992	<b>6</b>
44-5839	<b>18</b>	55-8808	<b>6</b>	91-9995	<b>26</b>
44-5883	<b>18</b>	55-8851	<b>6</b>	92-1502	<b>10</b>
44-5884	<b>18</b>	55-9009	<b>8</b>	92-1664	<b>26</b>

## INDEX NUMERICAL BY PART NUMBER

92-1898	26
92-1903	14
92-2810	26
92-3576	22
92-3583	8
92-3584	6
92-3601	20
92-3602	20
92-3603	24
92-3604	24
92-3605	26
92-3606	14
92-3607	14
92-3608	16
92-4305	26
92-589	26
92-590	26
92-636	8
92-922	22
92-923	20
92-924	20
92-925	6
98-5650	14
98-6805	6
98-6806	6
98-6807	6
98-6808	6
98-6812	6, 14
98-6813	14

## INDEX ALPHABETICAL BY DESCRIPTION

### A

ADAPTER - hpco **10**  
ADAPTER - valve **10**

### B

BANDWRAP **14, 16, 22**  
BASE - transformer **22**  
BOARD - printed circuit **20**  
BODY - solenoid **8**  
BOX - hermetic **24**  
BOX - junction **8, 16**  
BRACE - reinforcement **14**  
BRACKET - condenser coil **8**  
BRACKET - control box **20**  
BRACKET - evaporator **14**  
BRACKET - receiver tank **8**  
BRACKET - sensor **16**  
BULKHEAD **6**

### C

CABLE - mains **16**  
CABLE - power **16**  
CAP - flare **12**  
CAPACITOR **22**  
CHANNEL - din **20**  
CLAMP - capacitor **22**  
CLAMP - dehydrator **8**  
CLAMP - grille **6, 14**  
CLAMP - hose **14**  
CLAMP - receiver tank **8**  
CLAMP - sensor **16**  
CLAMP - tube **10**  
COIL - condenser **8**  
COIL - evaporator **14**  
COIL - valve **8**  
COMPRESSOR **8, 16**  
CONNECTOR **16, 20**  
CONNECTOR - end **20**  
CONNECTOR - fuse **20**  
CONNECTOR - inline **24**  
CONNECTOR - tower **18**  
CONTACTOR **20**  
CONTROLLER **16, 24**  
COVER - connector **20**  
COVER - control box **6**  
COVER - transformer **22**

### D

DEHYDRATOR **8**

### F

FACE - controller **24**  
FAN & MOTOR - condenser **16**  
FAN & MOTOR - evaporator **14, 16**  
FLATWASHER **6, 8, 14, 16, 20, 22, 24**  
FRAME - condenser **6**  
FUSE **20, 24**

### G

GASKET - cap **12**  
GASKET - valve **12**  
GRILLE - condenser **6**  
GRILLE - evaporator **14**  
GROMMET **6**  
GROMMET - drain hose **14**

### H

HARNESS - drain tube heater **14, 16**  
HARNESS - main **16, 24**  
HARNESS - rectifier **16, 22**  
HEATER **16**  
HOSE - drain **14**  
HOURLY METER **24**  
HOUSING - evaporator **6, 14**

### I

INDICATOR - liquid **8**  
INSERT - valve **10**

### J

JUMPER - capacitor **22**

### L

LOCK - secondary **18**  
LOCKWASHER **6, 8, 14, 16, 20, 22, 24**

### N

NAMEPLATE - Caution, Fan **26**  
NAMEPLATE - Caution, Thermostat **26**  
NAMEPLATE - High Voltage **26**  
NAMEPLATE - IR logo **26**  
NAMEPLATE - R404A **26**  
NAMEPLATE - Service Warning **26**  
NAMEPLATE - Thermo King **26**  
NAMEPLATE - Tip Danger **26**  
NAMEPLATE - Voltage, 24V **26**  
NOZZLE - expansion valve **14**  
NUT **6, 8, 16, 20, 22, 24**  
NUT - captive **8, 16**  
NUT - clamp **22**  
NUT - cover **22**  
NUT - expansion valve **14**  
NUT - shoulder **8**

### O

OIL - compressor **8**  
O-RING **8**

### P

PAN - drain **14**  
PANEL - blockoff **6**  
PANEL - bottom **6**  
PLENUM - evaporator **14**  
PLUG - cavity **18**

### R

RADIATOR **22**  
RECEPTACLE **16**  
RECTIFIER **16**  
RELAY **20**  
RELAY - overload **20**  
RESISTOR **22**  
RETAINER - heater **16**  
RIVET - channel **20**

### S

SCREW - board **20**  
SCREW - bracket **8, 20**  
SCREW - bulkhead **6**  
SCREW - clamp **14, 16**  
SCREW - compressor **8**  
SCREW - cover **6**  
SCREW - evaporator compartment **14**  
SCREW - fan **14, 16**  
SCREW - grille **6**  
SCREW - panel **6**  
SCREW - radiator **22**  
SCREW - rectifier **16, 22**  
SCREW - support **8**  
SCREW - switch **16**  
SCREW - transformer **22**  
SCREW - valve **8**  
SEAL **18**  
SENSOR - temperature **16**  
SHOULDER - o-ring **8**  
SHROUD **18**  
SOCKET - circuit breaker **20**  
SPACER - compressor support **8**  
STRIP - foam tape **6, 14**  
STRIP - rubber **22**  
SUPPORT - controller **24**  
SWITCH - defrost termination **16**  
SWITCH - hpco **10, 16**  
SWITCH - lpco **10, 16**

### T

TANK - receiver **8**  
TAPE - seal **6**  
TEE **10**  
TEE - hose **14**  
TERMINAL **18**  
TERMINAL - male **18**  
TERMINAL - socket **24**  
TOOL - pin removal **18**  
TOOL - terminal crimper **18**  
TRANSFORMER **22**  
TUBE - compressor to tee **10**  
TUBE - condenser coil to receiver **8**  
TUBE - dehydrator to sight glass **8**  
TUBE - drain pan **14**  
TUBE - equalizer **14**  
TUBE - evaporator to valve **10**  
TUBE - liquid **14**  
TUBE - receiver tank to dehydrator **8**

## INDEX ALPHABETICAL BY DESCRIPTION

TUBE - sight glass to evaporator **8**  
TUBE - solenoid to evaporator **10**  
TUBE - tee to condenser coil **10**  
TUBE - tee to solenoid **10**  
TUBE - valve to compressor **10**

### **V**

VALVE - discharge **12**  
VALVE - expansion **14**  
VALVE - hose check **14**  
VALVE - relief **10**  
VALVE - service port **10**  
VALVE - suction **12**  
VALVE - suction pressure regulator **10**

### **W**

WASHER **14**  
WASHER - fender **6, 22**  
WASHER - special **8**